

U-CLIP - Shaft Collar for Smooth Shafts / Tubes

U-Clip utilises a clamping ring which is offset to the shaft thereby providing clamping force.

Like a bushing the U-Clip is pushed forward against the component to be held and automatically locks into position. To release, just pull the clamping ring towards the user (UC8-16) or press the side button (UC20-22).

Advantages

- Usage on hardened and soft surfaces
- Self locking
- One hand operation
- Symmetrical design
- High self locking force
- Corrosion protected
- Resistant to vibration

UC8 - UC16

UC20 - UC35



Shaft

Tolerance of diameter: h6 - h9

Holding force

Specification refers to the use of surface hardened shafts with a hardness of min. 50 HRC.

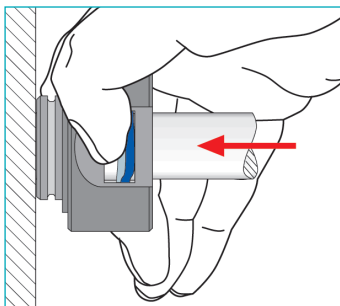
Operating temperature

max. +50°C

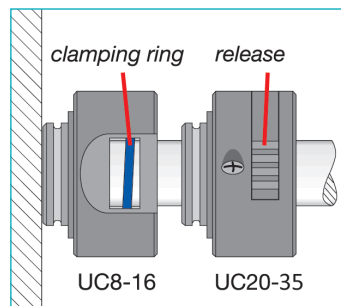
U-CLIP	Dimensions (mm)										O-Ring (not included)	Elasto-Ring (rubber support between UClip and package)			
	Order Ref.	ϕa	b	Shaft ϕ	h	i	d	ϕe	ϕf	ϕg	Holding force	Size	Type	k	ϕm
UC8	40	27.5	8	3.15	1.7	7	25	31	22.4	200 N	22 x 1.5	OR 1	10	40	24.9
UC10	40	27.5	10	3.15	1.7	7	25	31	22.4	250 N	22 x 1.5	OR 1	10	40	24.9
UC12	40	27.5	12	3.15	1.7	7	25	31	22.4	350 N	22 x 1.5	OR 1	10	40	24.9
UC15	40	27.5	15	3.15	1.7	7	25	31	22.4	350 N	22 x 1.5	OR 1	10	40	24.9
UC16	40	27.5	16	3.15	1.7	7	25	31	22.4	380 N	22 x 1.5	OR 1	10	40	24.9
UC20	55	32.5	20	2.65	1.7	7	30	37	27.4	320 N	27 x 1.5	OR 2	10	52	29.9
UC22	55	32.5	22	2.65	1.7	7	30	37	27.4	320 N	27 x 1.5	OR 2	10	52	29.9
UC25	84	45.0	25	3.50	2.2	9	50	56	47.4	420 N	46 x 2.0	OR 3	15	80	49.9
UC30	84	45.0	30	3.50	2.2	9	50	56	47.4	420 N	46 x 2.0	OR 3	15	80	49.9
UC35	84	45.0	35	3.50	2.2	9	50	56	47.4	420 N	46 x 2.0	OR 3	15	80	49.9

Order if required

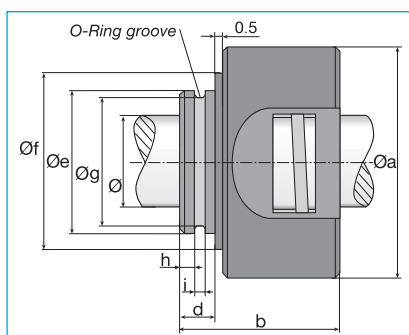
Push-On



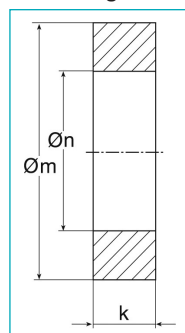
Pull-Off



UC8 - UC16



Elasto-Ring



UC20 - UC35

